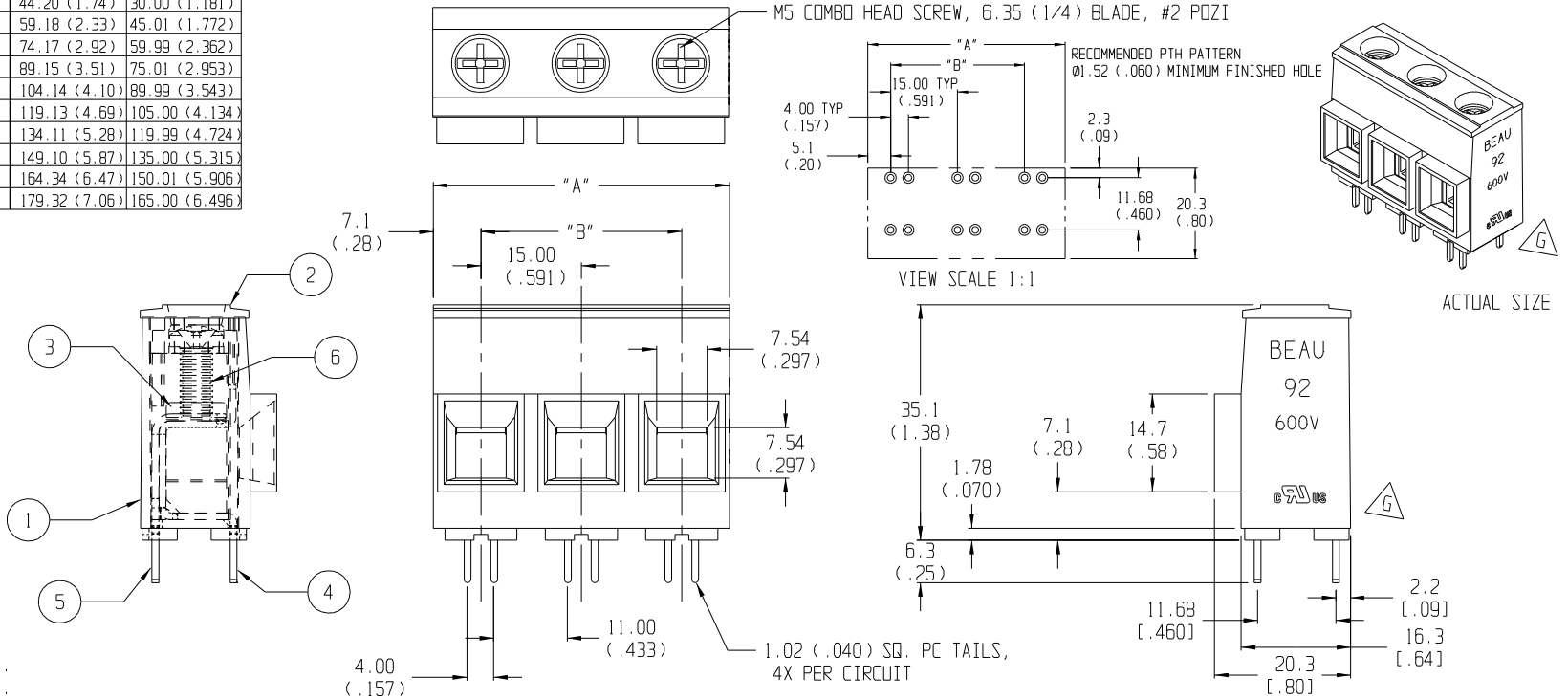


MATERIAL NO.	NUMBER OF CIRCUITS "XX"	DIM. "A" ±.13 (.010)	DIM. "B"
39920-0102	02	29.21 (1.15)	15.01 (.591)
39920-0103	03	44.20 (1.74)	30.00 (1.181)
39920-0104	04	59.18 (2.33)	45.01 (1.772)
39920-0105	05	74.17 (2.92)	59.99 (2.362)
39920-0106	06	89.15 (3.51)	75.01 (2.953)
39920-0107	07	104.14 (4.10)	89.99 (3.543)
39920-0108	08	119.13 (4.69)	105.00 (4.134)
39920-0109	09	134.11 (5.28)	119.99 (4.724)
39920-0110	10	149.10 (5.87)	135.00 (5.315)
39920-0111	11	164.34 (6.47)	150.01 (5.906)
39920-0112	12	179.32 (7.06)	165.00 (6.496)



NOTES:

1. MATERIAL: SEE TABLE.
2. FINISHES: SEE TABLE.
3. PRODUCT SPECIFICATION: NOT REQUIRED.
4. PACKAGING: NOT REQUIRED.
5. MATES WITH: NONE.
6. ALL FEATURES ARE TYPICAL UNLESS OTHERWISE NOTED.
7. DESIGNED TO MEET NEC & UL 1059 CLASS C 600 VOLTS.
8. "XX" REFERS TO THE NUMBER OF CIRCUIT POSITIONS.

ITEM	BQTY.	DESCRIPTION	MATERIAL	FINISH
6	XX	SCREW, M5, POZI-SLOT	BRONZE	TIN
5	XX	TERMINAL	COPPER	TIN
4	XX	TERMINAL	COPPER	TIN
3	XX	CAGE	BRASS	NICKEL
2	1	COVER	THERMOPLASTIC	BLACK
1	1	BODY	THERMOPLASTIC	BLACK

EC NO. 11485 DRWN: RK 6-15-04 CHK: APPR:	QUALITY SYMBOLS MAJOR = CRITICAL C =	GENERAL TOLERANCES: (UNLESS SPECIFIED) 4 PLACES ±.0015 3 PLACES ±.038 ±.005 2 PLACES ±.13 ±.01 1 PLACE ±.3 ANGULAR: ±2°	SCALE 3:2 DESIGN UNITS <input type="checkbox"/> mm <input checked="" type="checkbox"/> INCH DRAWN BY & DATE GHR 2-3-00 CHECKED BY & DATE R. KEMP 12-11-00 APPROVED BY & DATE L. ROTHHAUS 5-10-01	THIRD ANGLE PROJECTION TITLE: SR, BTS, #3 AWG, 85A, 600V	PROJECT NO. E-537	SHT	REV
					DIMENSIONS: <input checked="" type="checkbox"/> mm <input type="checkbox"/> INCH <input type="checkbox"/> mm ONLY		REVISE ON CAD ONLY
CAD FILENAME 9205XX MATERIAL NO. SEE CHART DRAWING NO. SD-39920-005 SHEET NO. 1 OF 1		THIS DRAWING CONTAINS INFORMATION THAT IS PROPRIETARY TO MOLEX INCORPORATED AND SHOULD NOT BE USED WITHOUT WRITTEN PERMISSION.		MOLEX INCORPORATED		SIZE B	